



TS4-A-S

PV Module Advanced Add-On

The TS4-A-S is the advanced add-on shutdown solution that brings smart module functionality to standard PV modules for higher reliability. Add module-level monitoring and shutdown to new installations or upgrade existing PV systems.

The TS4-A-S provides module-level shutdown when installed on each PV module and accompanied by the Tigo Access Point (TAP) and the Cloud Connect Advanced (CCA). DC production data can be analyzed via Tigo's SMART Website or App when connected to the cloud.

The TS4-A-S with UHD-Core technology and expanded specifications supports PV modules up to 500W.

Included Features



Manual or automatic **shutdown**



Module-level **monitoring** for energy production tracking and system management

Easy Installation

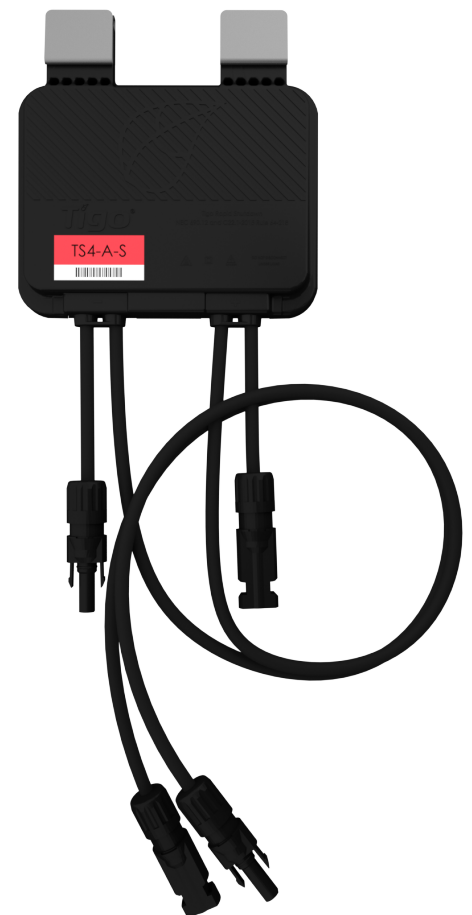
Snap to standard module frame or remove brackets for rack mounting

Smart Commissioning

Configure and commission with your Android or iOS mobile device

Automatic Shutdown

PV array enters shutdown mode in event of AC grid loss



TS4-A-S SPECIFICATIONS

Environmental

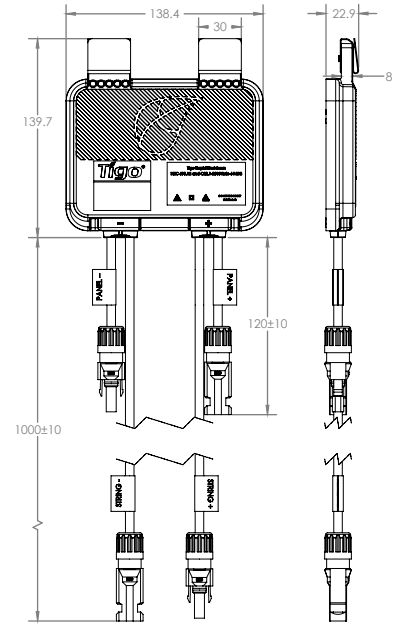
Operating Temperature Range	-40°C to +85°C (-40°F to +185°F)
Outdoor Rating	IP68
Maximum Elevation	2000m

Mechanical

Dimensions	138.4mm x 139.7mm x 22.9mm
Weight	490g

Electrical

Total Max Input Voltage (V _{OC} @ Lowest Temperature)	90V
Voltage Range	16 - 90V
Maximum Current	15A
Maximum Power	500W
Output Cable Length	1.2m (standard)
Connectors	MC4 (standard)
Communication Type	Wireless
Recommended Fuse Rating	15A



TAP required for module-level shutdown and CCA required for monitoring with TS4-A-S.

ORDERING INFORMATION

Standard

456-00252-32 1500V UL / 1000V TÜV, 1.2m cable, MC4

Options

456-00257-12 1000V UL / TÜV, 1.2m cable, MC4 comparable

456-00261-32 1500V UL / TÜV, 1.2m cable, EVO2

456-00263-12 1500V UL / TÜV, 1.2m cable, EVO comparable

For sales info:

sales@tigoenergy.com or 1.408.402.0802

For product info:

Visit tigoenergy.com/products

For technical info:

Visit support.tigoenergy.com



For additional info and product selection assistance, use Tigo's online design tool at tigoenergy.com/design

