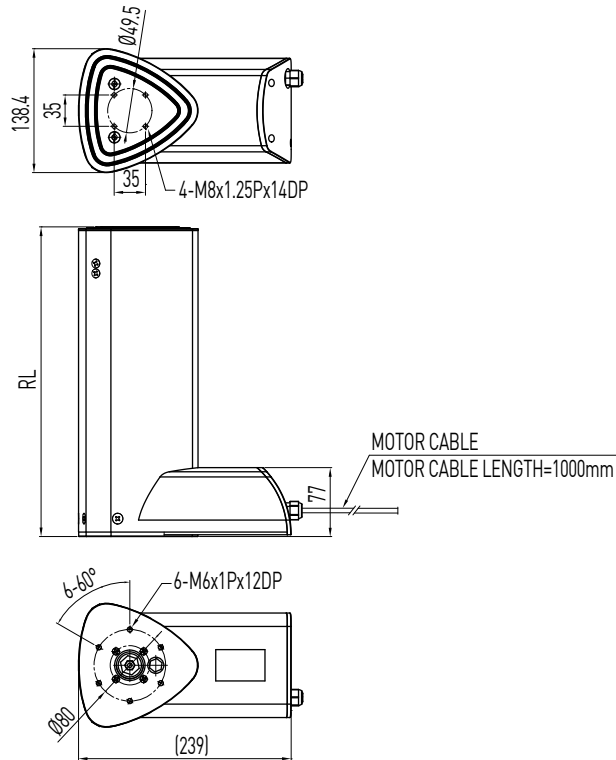


# Linear Actuator

## LAC Series

### 21. HIWIN LAC Series (2)

#### LAC3



- $RL = 171 + S/2$   
 RL: Retracted length  
 S: Stroke length

Table 21.1 Specifications

|                       |  |
|-----------------------|--|
| Screw type            | ACME   |
| Weight*               | 8.1kg  |
| Protection            | IP54   |
| Compatible controller | Compatible with all controllers<br>(*Notice the type of connector: Audio/DIN 4pin) |
| Working temp.         | +5°C~40°C  |

\* Stroke length 400mm

Table 21.2 Position feedback specifications (Hall Sensor)

|                |                                  |      |
|----------------|----------------------------------|------|
| Supply voltage | 24VDC                            | 5VDC |
| Output         | High level 24VDC                 | TTL  |
|                | Low level 0.2V / 10mA sink (NPN) |      |

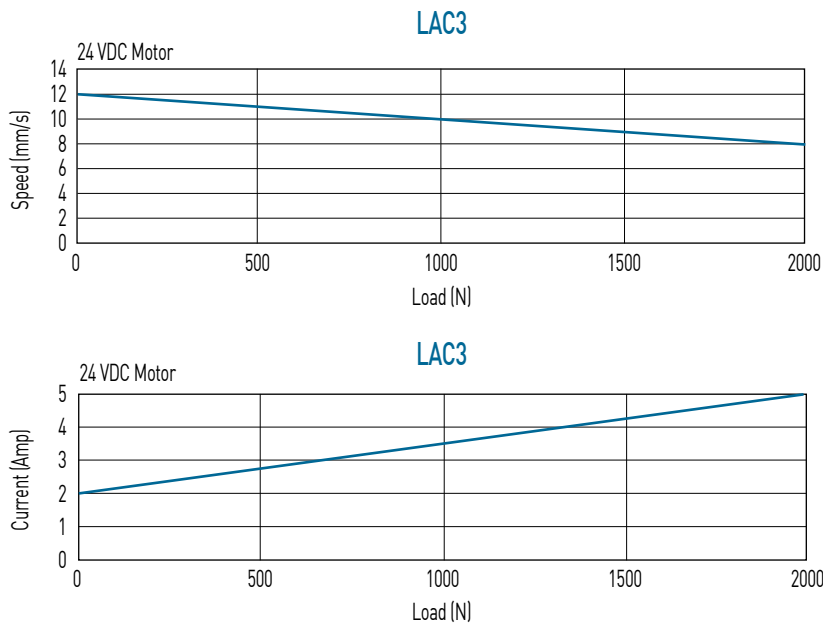
#### Option:

- (1) Position Feedback; Potentiometer; Hall sensor
- (2) Plug: DIN 4PIN plug / Stereo plug / Mono plug

Table 21.2 LAC3 Specifications

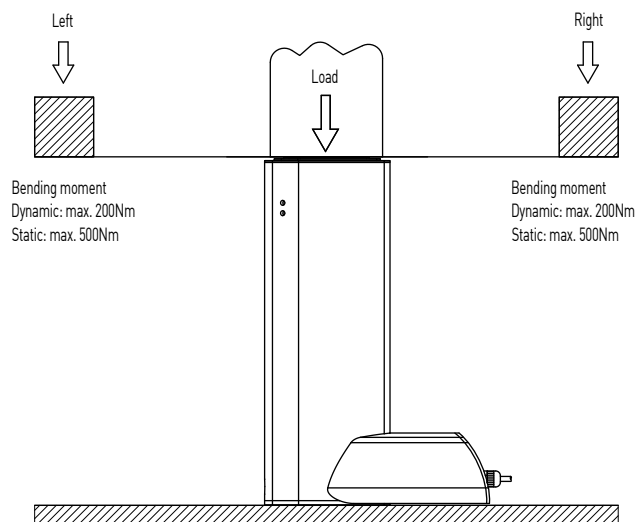
| Model  | Thrust max. (N) | Pulling max. (N) | Holding max. (N) | Speed (mm / s)<br>Load = Max. / Load = 0 | Standard stroke (mm) : S | Duty cycle % | Current max. (A)<br>24VDC | Potentiometer Resolution (ohm/mm) | Hall Sensor Resolution (mm/pulse) |
|--------|-----------------|------------------|------------------|--|--------------------------|--------------|---------------------------|-----------------------------------|-----------------------------------|
| LAC3-1 | 2000            | 500              | 2000             | 8 / 12                                   | 300 400 500              | 10           | 5                         | 6.67                              | 1.0                               |

\* Min. input power = Voltage x Current max.



\*\*Note: The test results are obtained by using the 24VDC power supply.

### LAC3 Bending moment illustration (Stroke: 400mm)



### Ordering Information

|                                    |  |               |         |                   |   |
|------------------------------------|--|---------------|---------|-------------------|---|
| <b>LAC3 - 1 - 1 - 400 - 24 G E</b> |  |               |         |                   |   |
| Model number                       | 1: Basic model complete with internal limit switches | Stroke length | Voltage | Color<br>G : Gray | Special models according to the customer's requirement (Ignore this part of the serial number if not available) |