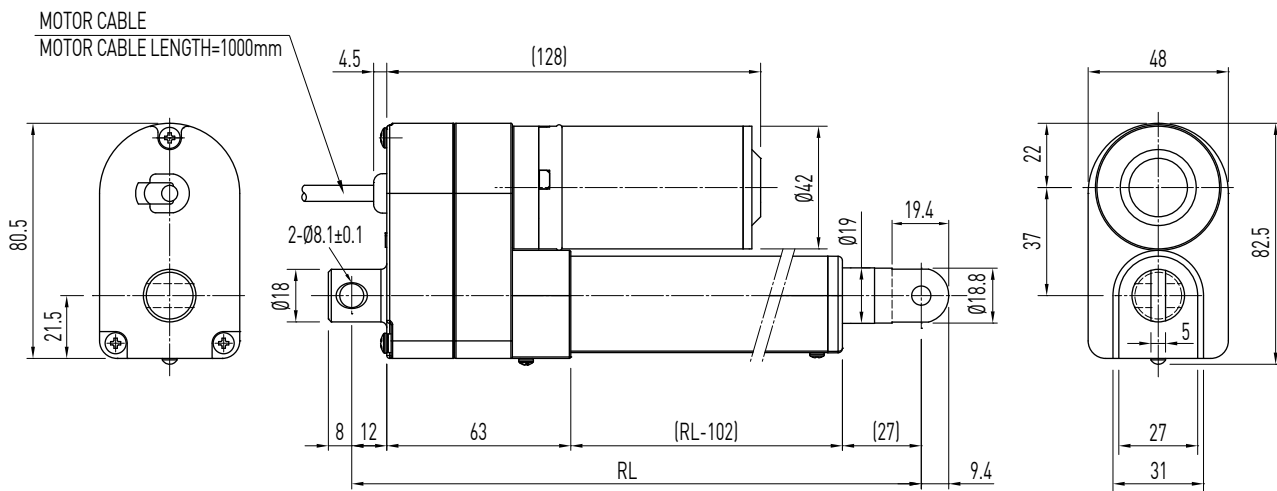


Linear Actuator

LAS Series

11. HIWIN LAS Series (2)

LAS2



- RL = S+146
Stroke ≤ 250
- RL = S+196
Stroke > 250
- RL: Retracted length
- S: Stroke length

Table 11.1 Specifications

Screw type	ACME
Weight*	1.3kg
Protection	IP54
Compatible controller	Compatible with all controllers (*Notice the type of connector: Audio/DIN 4pin)
Working temp.	+5°C~40°C

* Stroke length 200mm

Option:

- (1) IP65
- (2) Position feedback
 - 1: Potentiometer 10k ohm (RL = S+154, S ≤ 250 / RL = S+204, S > 250)
 - 2: Optical sensor: PNP (standard), NPN, TTL
- (3) 36VDC motor
- (4) Back fixture turned 90°

Table 11.2 Position feedback specifications (Optical Sensor)

Supply voltage	24VDC	12VDC	5VDC
Output	High level 24VDC Low level 0.2V/40mA PNP* PS. Open collector	High level 12VDC Low level 0.2V/40mA PNP* PS. Open collector	TTL

* Low noise

- (5) Rod end with flat connector (RL = S+133, S ≤ 250 / RL = S+183, S > 250)
- (6) Potentiometer+Rod end with flat connector
(RL = S+141, S ≤ 250 / RL = S+191, S > 250)
- (7) Plug: DIN 4PIN plug / Stereo plug / Mono plug
- (8) UL version

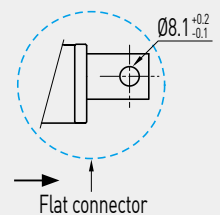
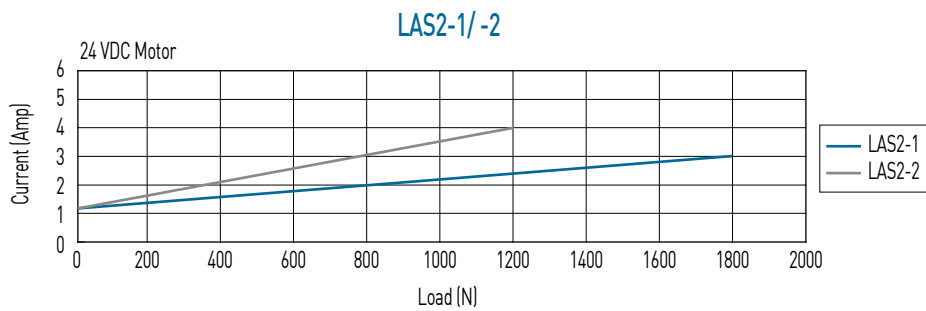
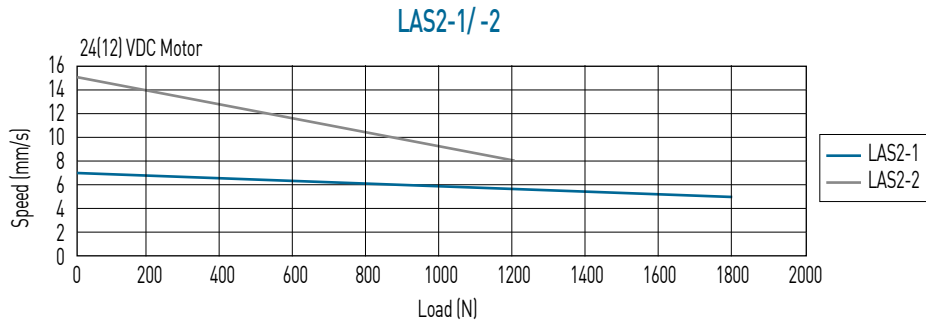


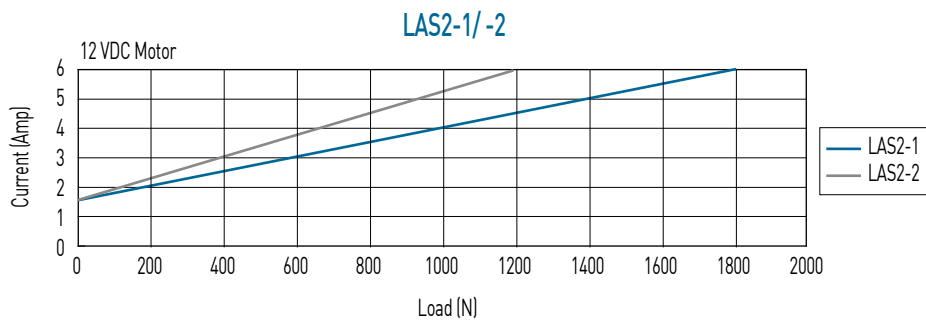
Table 11.3 LAS2 Specifications

Model	Thrust max. (N)	Pulling max. (N)	Holding max. (N)	Speed (mm / s) Load = Max. / Load = 0	Standard stroke (mm) : S					Duty cycle %	Current max. (A)		Optical Sensor Resolution (mm/pulse)	Potentiometer Resolution (Ohm/mm)
					50	100	150	200	250		12VDC	24VDC		
LAS2-1	1800	1200	1800	4.5 / 7	50	100	150	200	250	10	6	3	0.3175	21
LAS2-2	1200	1200	1000	8 / 15	50	100	150	200	250	10	6	4	0.635	10.5

*Min. input power = Voltage x Current max.



**Note: The test results are obtained by using the 24VDC power supply.



**Note: The test results are obtained by using the 12VDC power supply.

Ordering Information

LAS2 - 1 - 1 - 200 - 24 G E

Model number	Stroke length	Voltage	Color	Special models according to the customer's requirement (Ignore this part of the serial number if not available)
0 : Without internal limit switches 1 : Basic model complete with internal limit switches			B : Black G : Gray	