

# Linear Actuator

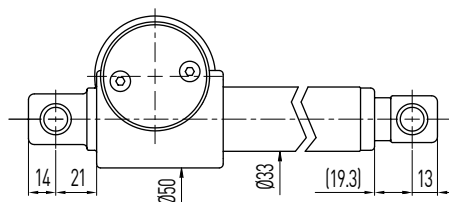
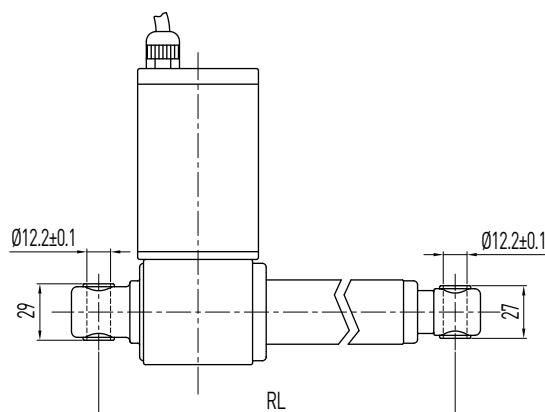
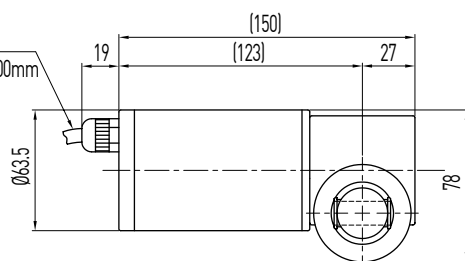
## LAM Series

### 5. HIWIN LAM Series (1)

#### LAM1-1 / -2



MOTOR CABLE  
MOTOR CABLE LENGTH=1000mm



- LAM1-1/-2  
RL = S+153  
Stroke ≤ 400  
RL = S+203  
Stroke > 400  
RL: Retracted length  
S: Stroke length

- LAM1-1A  
RL = S+162  
Stroke ≤ 400  
RL = S+212  
Stroke > 400

Table 5.1 Specifications

Screw type	Ballscrew / ACME
Weight*	2.31kg
Protection	IP54
Compatible controller	LAK2 / LAK2LR / LAK2D / LAK2BN / LAK2J / LAK6B
Working temp.	+5°C~40°C

\* Stroke length 100mm

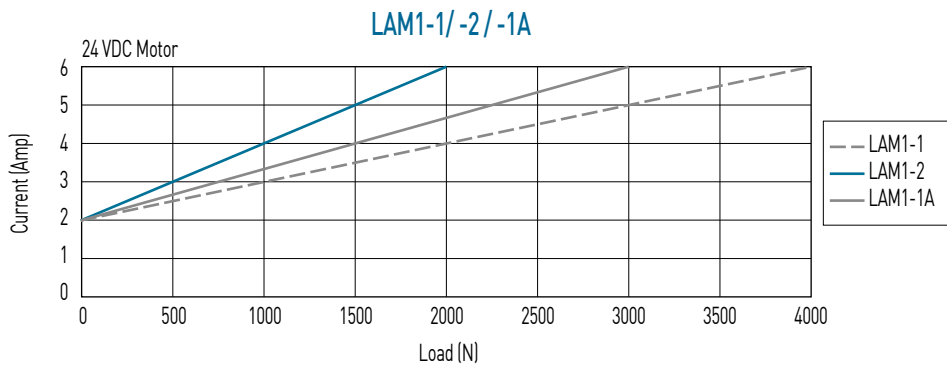
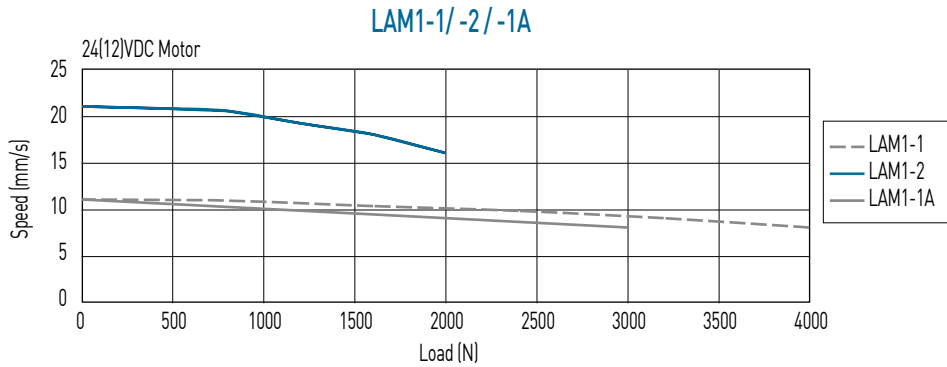
#### Option:

- (1) IP65
- (2) Gear box material: Steel (Standard: Zn (85%)-AL (15%))
- (3) Gear box housing turned 90°
- (4) 36VDC motor
- (5) UL version only 24VDC motor specifications (Only 24VDC certified by UL)
- (6) Plug: DIN 4PIN plug / Stereo plug / Mono plug

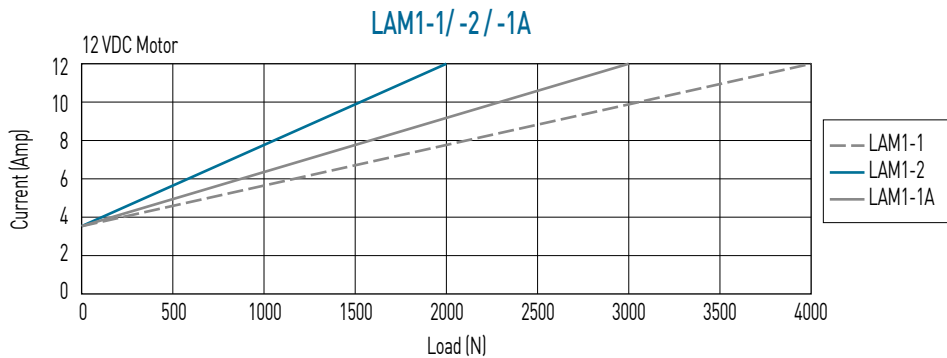
Table 5.2 LAM1 Specifications

Model	Screw type	Thrust max. (N)	Pulling max. (N)	Holding max. (N)	Speed (mm/s) Load = Max. / Load = 0	Standard stroke (mm) : S								Duty cycle %	Current max. (A)	
						100	150	200	250	300	350	400	12VDC		24VDC	
LAM1-1	Ball screw	4000	3000	4000	8 / 11	100	150	200	250	300	350	400	10	12	6	
LAM1-2	Ball screw	2000	2000	1200	16 / 21	100	150	200	250	300	350	400	10	12	6	
LAM1-1A	ACME	3000	3000	3000	8 / 11	100	150	200	250	300	350	400	10	12	6	

\*Min. input power = Voltage x Current max.



\*\*Note: The test results are obtained by using the 24VDC power supply.



\*\*Note: The test results are obtained by using the 12VDC power supply.

## Ordering Information

